

ABT-P10 / ABT-P10P

EN 54-24

SOUND PROJECTORS

- ✓ *Compliance with EN 54-24*
- ✓ *Compliance with BS5839-8 standard (Thermal protection)*



NEW!

Fire alarm ABT-P10, ABT-P10P loudspeakers have been designed and manufactured for the most demanding customers as well as to meet the requirements of the most complex and sophisticated sound transmitting applications. Thanks to the contribution of advanced technologies they combine excellent acoustic parameters and high aesthetics with resistance to mechanical damages and varying weather conditions as well as low prices. Their additional quality is an exceptionally quick and simple installation.

Quality standards and audio characteristics have been confirmed through tests and trials in an anechoic chamber, resistance and integrity testing equipment, as well as chambers for resistance to weather and air humidity testing. The need to maintain the best acoustic parameters was the idea underlying the design process.

ABT-P loudspeaker models emitting the sound which features directional characteristic and high efficiency. 5-inch 2-cone wide band loudspeakers used in these series are excellent alternative solution for horn-type units due to wide frequency band. They prove excellent in both musical and verbal applications. ABT-P10 and ABT-P10P loudspeakers are enclosed in round casings made of resistant and durable ABS; they feature a high class of protection from humidity. Thanks to directional characteristic of sound propagation our loudspeakers are mostly applied on circulation

routes and in wide area sound emission. Due to resistance to weather conditions the loudspeakers prove excellent in industrial halls, warehouses, as well as partly open spaces exposed to outdoor weather conditions.

Apart from high mechanical and functional resistance ABT-P loudspeakers entirely comply with global requirements for systems, including also the British Standard No. BS5839 Part 8 and EN 54-24.

All ABT-P loudspeakers have built-in a ceramic connection block and a thermal fuse. Two sound-transmission cable penetrations in the casing are insulated by means of two cable glands. Inside the fire zone the loudspeaker is isolated from the entire line, which ensures line continuity and uninterrupted broadcasting of emergency messages. The individual power rating is selected by means of connection with applicable transformer branch.

ABT-P loudspeakers are designed for continuous operations at rated parameters for at least 100 hours in compliance with the IEC-268-5 Standard.

ABT-P10P loudspeakers are designed for pendant mounting. They are equipped with an additional junction box enabling simple and quick speaker installation. They are used wherever the distance from ceiling mounted speaker is too large.

CHARACTERISTICS

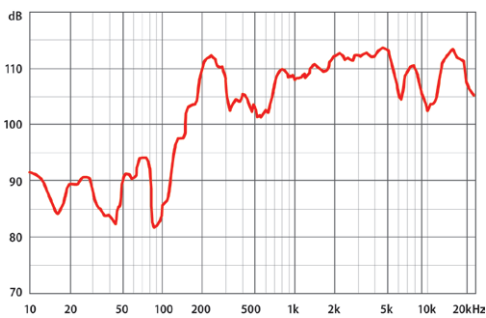
- » *Designed to achieve directional characteristic of sound emission*
- » *10 W transformer with multiple branches ensuring accurate selection of output power*
- » *Enclosed in an advance and functional cylindrical casing made of resistant and durable ABS*
- » *Ideal for either ceiling or wall installation*
- » *Durable casing with ceramic block and thermal fuse*
- » *High sound quality in music and speech emission*



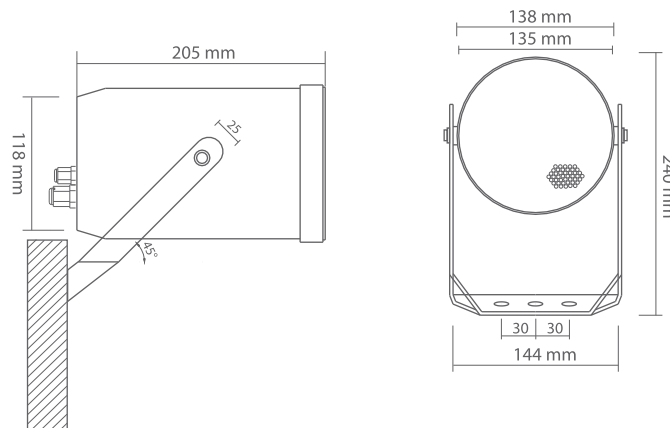
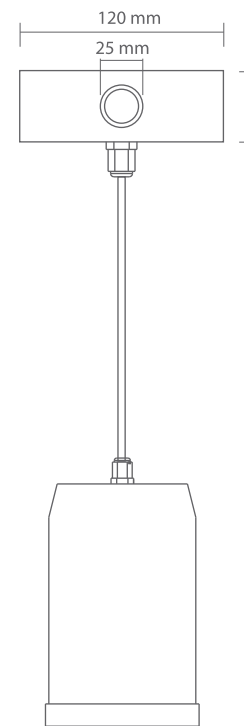
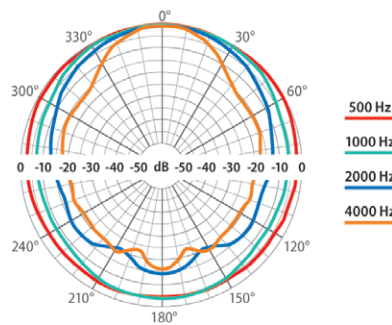
		ABT-P10 / ABT-P10P
Electrical		
Rated power, W		10
Tappings 100 V line according to EN 54-24, W		10 / 5 / 2,5 / 1,25
Tappings 70V line, W		5 / 2,5 / 1,25 / 0,625
Transformer impedance, Ω 100V		1000 / 2000 / 4000 / 8000
Driver impedance, Ω		8
Effective frequency range, Hz		130 – 20000
Sensitivity @ 4m, 1 W, dB		80
SPL @ 4m, Rated power, dB		88
SPL @ 1 m, 1 W, dB, Test signal bandwidth 300Hz – 6 kHz		92
SPL @ 1 m, Rated power, dB, Test signal bandwidth 300Hz – 6 kHz		100
Dispersion at 500 Hz / 1 kHz / 2 kHz / 4 kHz, [°]		360 / 210 / 120 / 65
Environmental		
Environmental type / IP Rating according to EN 54-24		B / IP33C
IP Rating*		66
Min / Max Amb Temp		-25°C / 70°C
Mechanical		
Dimensions, mm		Length 205, ø 135
Net Weight, kg		1,6
Colour		White (RAL 9003)
Material		ABS
Mounting		Screw, U Type bracket
Option		
For DC line monitoring		Capacitor (ABT-P10C / ABT-P10PC)
Colour optional		RAL Palette
Ease Model		
		✓

* not confirmed by CNBOP-PIB

Frequency band:



Circular chart of directional characteristic:



16.04.2020